

» The Comfortable

ELTRONO® COMFORT is the state-of-the-art solution when working many hours without interruption, with several monitors, in a high demanding working environment.

The workplace offers a high range of unique features which enables an optimal and individually designed workplace.

The important ergonomic features are, the height adjustability, the tilted work surface, the sound absorbing back ground panel and the integrated worklight with the adaptive light that ensures the correct luminance contrast.

ELTRONO® COMFORT is the most comfortable work place available.

- + ADAPTIVE LIGHT WITH SENSOR (PATENT)
- + SOUND ABSORBING BACKGROUND PANEL
- + MOTOR CONTROL - COMFORT
- + MOTORIZED HEIGHT ADJUSTABILITY
- + TILTABLE MAIN WORK SURFACE - »ERGO-TILT™« (PATENT)
- + WORK SURFACE, DIVIDED IN TWO PARTS
- + FOOT REST



» COMFORT

» ELTRONO® COMFORT

The Comfortable

FEATURES

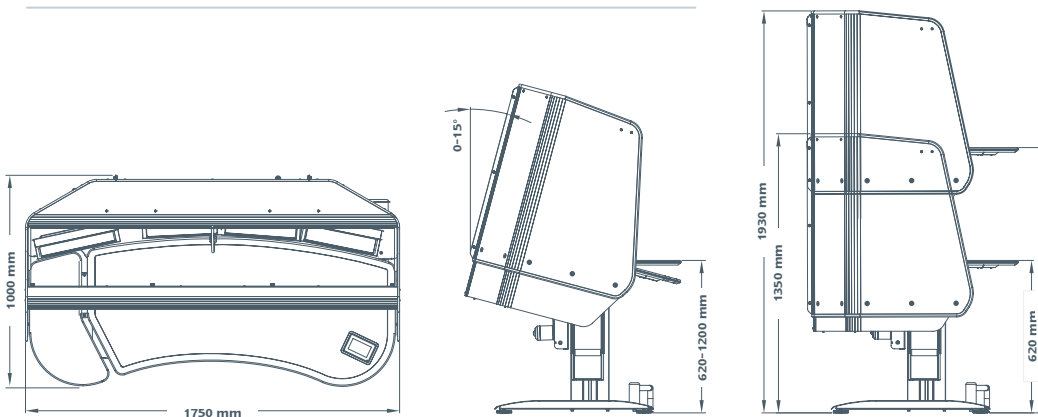
STANDARD

- + Motorized height adjustment (for sitting and standing)
- + Work surface dimensions: 175 × 80 cm or 175 × 100 cm
- + Main work surface with motorized »Ergo-Tilt™« adjustment
- + Fixed shelf on the left hand side
- + Mousepad, embedded in work surface
- + Sound absorbing background panel
- + Integrated worklight and adaptive light with sensor
- + Motor control - comfort - with digital Touchscreen panel
- + Monitor rail including 2 monitor poles and 4 monitor holders (VESA)
- + Cable box
- + 7 power outlets
- + Footrest
- + CPU Holder

OPTIONAL

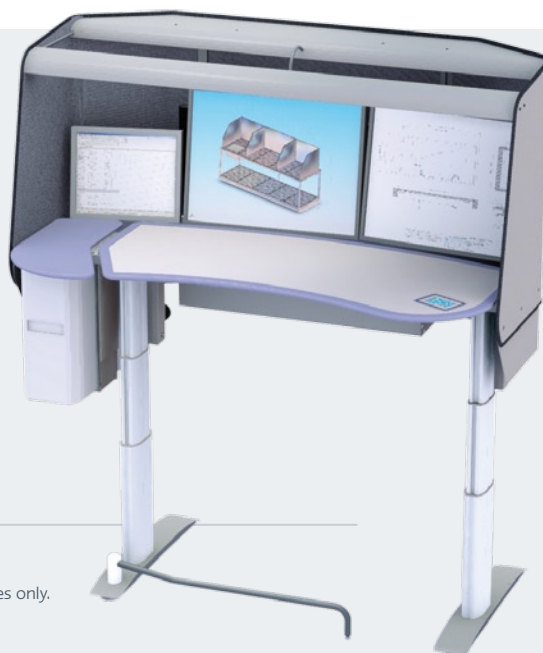
- + USB-Hub with 3 ports
- + Memory function with presets
- + Lowered screen (40 cm) to protect from insight

TECHNICAL SPECIFICATIONS



- + **AN ERGONOMICALLY DESIGNED WORKPLACE INCREASES THE EFFICIENCY AND PRODUCTIVITY AND REDUCES STRESS RELATED PROBLEMS AND FATIGUE.**

All accessories shown, monitors and PC, are not included with the tables, they are for display purposes only.



ELTRONO®

PLANILUX®

ELTRONO® Eine PLANILUX®-Marke.

Tel.: (0 29 02) 97 13-0
Fax: (0 29 02) 97 13-88
info@planilux.com
www.planilux.com

GERÄTEBAU
Felix Schulte GmbH & Co. KG
Rangstraße 46-48
D-59581 Warstein