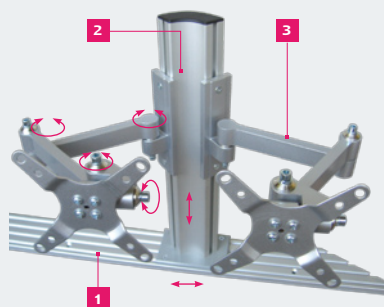


## >> Options

### + MONITOR POSITIONING SYSTEM

The mounting of the monitors is very flexible and easy to handle. The monitor rail **1** is mounted on the work surface. The monitor pole(s) **2** are mounted on the monitor rail and can individually be placed and positioned on the rail.

One or two flexible monitor holder(s) **3**, VESA-mount, can be mounted on the monitor pole(s). The monitor holder(s) are independent from the monitor poles and the individual height can manually be adjusted. In addition, the holders can be positioned and adjusted with 4 flexible hinges.



### + CPU-HOLDER

A flexible CPU Holder, which is integrated with the table, is placed under the work surface. A maximum of 2 holders can be mounted.



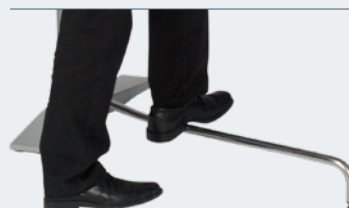
### + USB-HUB WITH 3 PORTS

The USB-hub enables easy access for a maximum of 3 positions, USB-Stick and PC etc, where access can be placed on the back side.



### + FOOTREST

The flexible footrest alleviates the pressure on your lower back when working in standing position. When it is not in use, swing it out of the way.



### + ERGONOMIC CHAIR

Together with our **ELTRONO®**-Line, we recommend, independent of model, an ergonomic and comfortable chair that is providing full back support and mobility.

Similar images.

## >> MODELS & OPTIONS

# » ELTRONO® MODELS

## Versions & options

Features/Options	BASIC				ERGO		COMFORT	
	125 × 80	125 × 100	175 × 80	175 × 100	175 × 80	175 × 100	175 × 80	175 × 100
Dimensions/Size	125 × 80	125 × 100	175 × 80	175 × 100	175 × 80	175 × 100	175 × 80	175 × 100
Work surface, 1 part, fixed-non-tilting	×	×	×	×	—	—	—	—
Work surface, 2 parts, 1 tilting/1fixed	—	—	—	—	×	×	×	×
Mousepad, soft & ergonomic, embedded in the work surface	•	•	•	•	×	×	×	×
Motorized height adjustment	×	×	×	×	×	×	×	×
»Ergo-Tilt™«-Function	—	—	—	—	×	×	×	×
Motor control – economy	×	×	×	×	—	—	—	—
Motor control – comfort	—	—	—	—	×	×	×	×
Memory Function with Presets	—	—	—	—	•	•	•	•
Cable box	—	—	—	—	×	×	×	×
Background panel, sound absorbing	—	—	—	—	—	—	×	×
Adaptive light & sensor	—	—	—	—	—	—	×	×
Monitor rail <b>1</b>	•	•	•	•	×	×	×	×
Monitor column(s) <b>2</b>	• 1	• 1	• 2	• 2	• 2	• 2	× 2	× 2
Monitor holder(s) with VESA-fixation <b>3</b>	• 2	• 2	• 4	• 4	• 4	• 4	× 4	× 4
Footrest	•	•	•	•	•	•	×	×
CPU-Holder	•	•	•	•	•	•	× 1	× 1
USB-Hub with 3 ports	•	•	•	•	•	•	•	•
Extra Transportation-Set	•	•	•	•	•	•	•	•
Lowered screen to protect from insight (40 cm) *	•	•	•	•	•	•	•	•

- × Standard
- × 1 Standard with quantity, ex. 1
- Option
- 2 Option with quantity, ex. 2
- no
- \* BASIC – size as the ordinary cable box; ERGO and COMFORT; more space for cables



ELTRONO®

PLANILUX®

ELTRONO® A PLANILUX® Trademark.

Phone.: +49 (0) 29 02 · 97 13-0

Fax: +49 (0) 29 02 · 97 13-88

info@planilux.com

www.planilux.com

GERÄTEBAU

Felix Schulte GmbH & Co. KG

Rangstraße 46-48

D-59581 Warstein